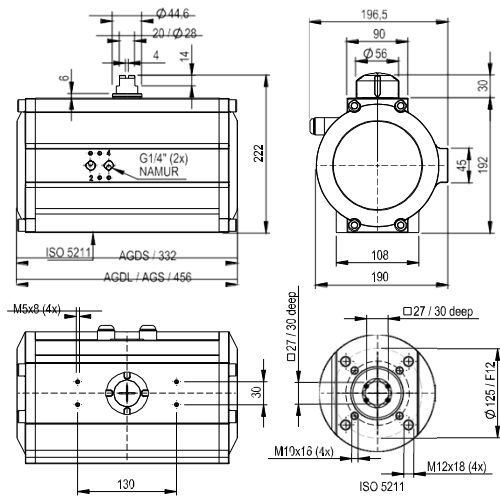
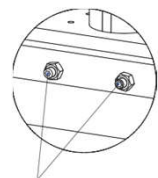


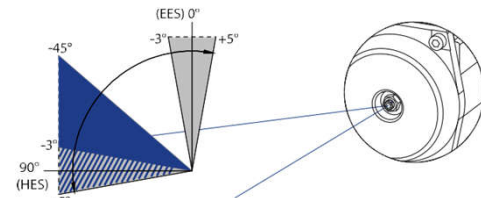
# AGDL-AGDS/AGS-130



### End position adjustment



Adjusting screws, between +5° and -3°



Optional: Stroke Limitation caps between +5° and -45° for the actuator sizes AGD/AGS-004-600.

The pivoting angle can be adjusted in both end positions in pressure free conditions between +5° and -3°.

### Torque-table double-acting actuator (Nm)

	Control Pressure Pst (bar)										
	2	2.5	3	3.5	4	4.5	5	5.5	6	7	8
<b>AGDL - 130</b>	281.3	351.7	422.0	492.3	562.7	633.0	703.4	773.7	844.0	984.7	1125.4
<b>AGDS - 130</b>											

### Torque-table single-acting actuator (Nm)

Actuator Type	No. of Springs	Md F (Nm)	Pneumatic Applied Torque Md (Nm) at Minimum Control Pressure Pst (bar)																				
			2		2.5		3		3.5		4		4.5		5		5.5		6		7		
			min	max	min	max	min	max	min	max	min	max	min	max	min	max	min	max	min	max	min	max	
<b>AGS 130</b>	4	117.70	175.50	106	164	176	234																
	5	147.13	219.38	62	134	132	205	203	275														
	6	176.55	263.50			88	175	159	245	229	316												
	7	205.98	307.13				115	216	185	286	256	357											
	8	235.40	351.00						141	257	212	327	282	398									
	9	264.83	394.88								168	298	238	368	308	439							
	10	294.25	438.75										194	339	265	409	335	479					
	11	323.68	482.63												221	380	291	450	361	520			
	12	353.10	526.50														247	421	318	491	458	632	

Technical developments & alterations are reserved. 04/2022 GM APE Automation (India) Pvt. Ltd.



### Weight, air consumption

Actuator type	AGDL	AGDL	AGS
Weight (kg)	15.00	14.50	19.10
Volume (l) Double-stroke	7.90	7.70	3.90

### Control pressure

Control pressure: 2 - 8bar  
Control medium/  
quality: Filtered air minimum acc.  
to DIN/ISO 8573-1 Class 4

### Switch time (sec\*)

AGDL	AGDS	AGS	
		0 - 90°	90 - 0°
2.0	2.2	1.5	1.4

### Ambient temperature

Standard	- 35°C to +80°C
High-temp (HT)	- 15°C to +140°C
Low-temp (TT)	- 50°C to +70°C

### Optional extras

- Other housing coatings
- Pinion: Stainless Steel AISI 304 or 316
- 180° actuator: rotation 180° to 120° adjustable
- 3 - position actuator: 0° - 90° - 180° / 0° - 45° - 90°

\*Quoted switch times are guidelines for a double-stroke at 5 bar control pressure and at 50% rated loading. With high valve actuating speeds, potentially dangerous large braking forces can arise in the actuator end positions. Tip: Throttle the exhaust air or select a larger actuator. Single Action actuators with 12 springs.

### Ordering code

AGDL - 130 / 090 - V27 - H
AGDS - 130 / 090 - V27 - H
(see assembly variants)
AGS - 130 / 090 - 06* - V27 - H
(see assembly variants)
*The number of springs (4 up to 12pcs.) must be matched to the control pressure beforehand
AGDL = Double acting with spring end caps
AGDS = Double acting with short end caps
AGS = Single acting with spring

### Materials

- Housing: Al-alloy, anodised, outside PP-coated
- Piston: Al-alloy, PP-coated
- Pinion: Al-alloy
- Pinion: Al-alloy, hard-anodised
- Namur shaft: SS316
- Seals: NBR (Perbunan)
- Bearing: Plastic, POM
- Screws: Stainless steel 1.4301

Technical developments & alterations are reserved. 04/2022 GM APE Automation (India) Pvt. Ltd.