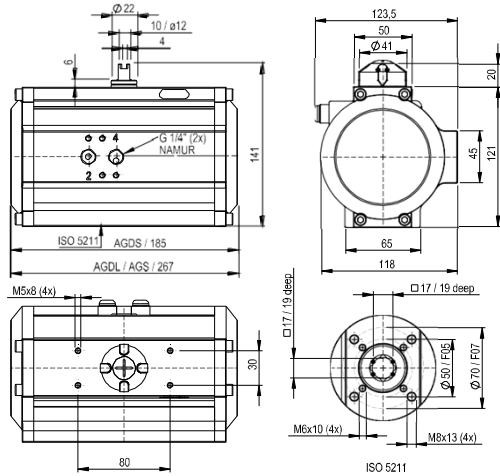
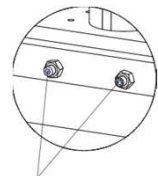


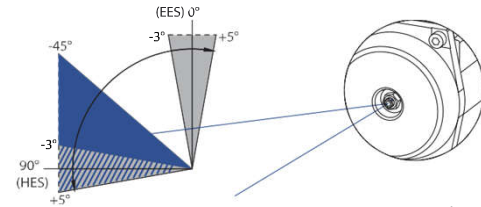
AGDL-AGDS/AGS-025



End position adjustment



Adjusting screws, between +5° and -3°



Optional: Stroke Limitation caps between +5° and -45° for the actuator sizes AGD/AGS-004-600.

The pivoting angle can be adjusted in both end positions in pressure free conditions between +5° and -3°.

Torque-table double-acting actuator (Nm)

| | Control Pressure Pst (bar) | | | | | | | | | | |
|------------------|----------------------------|-------|-------|-------|-------|-------|-------|-------|-------|-------|-------|
| | 2 | 2.5 | 3 | 3.5 | 4 | 4.5 | 5 | 5.5 | 6 | 7 | 8 |
| AGD - 025 | 51.00 | 63.80 | 76.50 | 89.30 | 102.0 | 114.8 | 127.5 | 140.3 | 153.0 | 178.5 | 204.0 |

Torque-table single-acting actuator (Nm)

| Actuator Type | No. of Springs | Md F (Nm) | | Pneumatic Applied Torque Md (Nm) at Minimum Control Pressure Pst (bar) | | | | | | | | | | | | | | | | | | | | | |
|----------------|----------------|-----------|-------|--|-----|-----|-----|-----|-----|-----|-----|-----|-----|-----|-----|-----|-----|-----|-----|-----|-----|-----|-----|--|--|
| | | | | 2 | | 2.5 | | 3 | | 3.5 | | 4 | | 4.5 | | 5 | | 5.5 | | 6 | | 7 | | | |
| | | min | max | min | max | min | max | min | max | min | max | min | max | min | max | min | max | min | max | min | max | min | max | | |
| AGS 025 | 4 | 21.10 | 31.20 | 20 | 30 | 33 | 43 | | | | | | | | | | | | | | | | | | |
| | 5 | 26.38 | 39.00 | 12 | 25 | 25 | 37 | 38 | 50 | | | | | | | | | | | | | | | | |
| | 6 | 31.65 | 46.80 | | | 17 | 32 | 30 | 45 | 42 | 58 | | | | | | | | | | | | | | |
| | 7 | 36.93 | 54.60 | | | | | 22 | 40 | 35 | 52 | 47 | 65 | | | | | | | | | | | | |
| | 8 | 42.40 | 62.40 | | | | | | | 27 | 47 | 40 | 60 | 52 | 73 | | | | | | | | | | |
| | 9 | 47.48 | 70.20 | | | | | | | | | 32 | 55 | 45 | 67 | 57 | 80 | | | | | | | | |
| | 10 | 52.75 | 78.00 | | | | | | | | | | | 37 | 62 | 50 | 75 | 62 | 88 | | | | | | |
| | 11 | 58.03 | 85.80 | | | | | | | | | | | | | 42 | 69 | 54 | 82 | 67 | 95 | | | | |
| | 12 | 63.30 | 93.60 | | | | | | | | | | | | | | 47 | 77 | 59 | 90 | 85 | 115 | | | |

Technical developments & alterations are reserved. 04/2022 GM APE Automation (India) Pvt. Ltd.



Weight, air consumption

| Actuator type | AGDL | AGDS | AGS |
|-----------------------------|------|------|------|
| Weight (kg) | 3.50 | 3.20 | 4.30 |
| Volume (l) Double-stroke | 1.40 | 1.20 | 0.65 |

Control pressure

Control pressure: 2 - 8 bar
Control medium/
quality: Filtered air minimum acc.
to DIN/ISO 8573-1 Class 4

Switch time (sec*)

| AGDL | AGDS | AGS | |
|------|------|---------|---------|
| | | 0 - 90° | 90 - 0° |
| 0.8 | 0.7 | 1.1 | 1.0 |

*Quoted switch times are guidelines for a double-stroke at 5 bar control pressure and at 50% rated loading. With high valve actuating speeds, potentially dangerous large braking forces can arise in the actuator end positions. Tip: Throttle the exhaust air or select a larger actuator. Single Action actuators with 12 springs.

Materials

Housing: Al-alloy, anodised
Caps: Al-alloy, PP-coated
Piston: Al-alloy
Pinion: Al-alloy, hard-anodised
Namur shaft: SS304
Seals: NBR (Perbunan)
Bearing: Plastic, POM
Screws: Stainless steel 1.4301

Ordering code

AGD - 025 / 090 - V17 - H
(see assembly variants)
AGS - 025 / 090 - 06* - V17 - H
(see assembly variants)
*The number of springs (4 up to 12pcs.) must be matched to the control pressure beforehand

Technical developments & alterations are reserved. 04/2022 GM APE Automation (India) Pvt. Ltd.