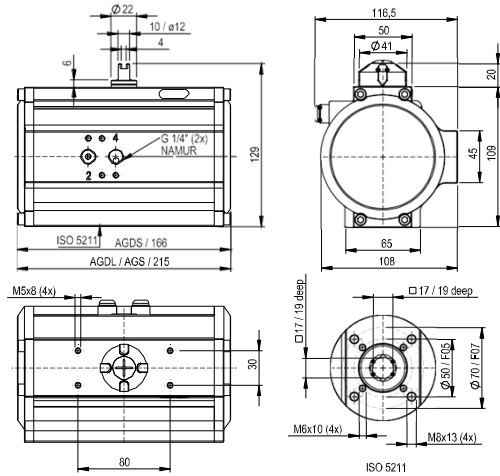
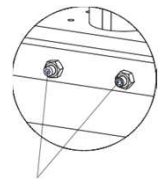


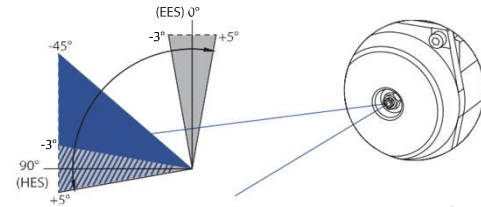
AGDL-AGDS/AGS-018



End position adjustment



Adjusting screws, between +5° and -3°



Optional: Stroke Limitation caps between +5° and -45° for the actuator sizes AGD/AGS-004-600.

The pivoting angle can be adjusted in both end positions in pressure free conditions between +5° and -3°.

Torque-table double-acting actuator (Nm)

AGD - 018	Control Pressure Pst (bar)										
	2	2.5	3	3.5	4	4.5	5	5.5			
	36.30	45.37	54.45	63.52	72.60	81.67	90.75	99.82	108.9	127.05	145.2

Torque-table single-acting actuator (Nm)

Actuator Type	No. of Springs	Md F (Nm)		Pneumatic Applied Torque Md (Nm) at Minimum Control Pressure Pst (bar)																				
				2		2.5		3		3.5		4		4.5		5		5.5		6		7		
		min	max	min	max	min	max	min	max	min	max	min	max	min	max	min	max	min	max	min	max	min	max	
AGS 018	4	14.80	21.50	15	22	24	31																	
	5	18.50	26.88	9	18	19	27	28	36															
	6	22.20	32.55			13	23	22	32	31	41													
	7	25.90	37.63					17	29	26	38	35	47											
	8	29.60	43.00							21	34	30	43	39	52									
	9	33.30	48.38									24	39	33	48	42	57							
	10	37.00	53.75											28	45	37	54	46	63					
	11	40.70	59.13													32	50	41	59	50	68			
	12	44.40	64.50														35	55	44	65	63	83		

Technical developments & alterations are reserved. 04/2022 GM APE Automation (India) Pvt. Ltd.



Control pressure

Control pressure: 2 - 8 bar
Control medium/ quality: Filtered air minimum acc. to DIN/ISO 8573-1 Class 4

Weight, air consumption

Actuator type	AGDL	AGDL	AGS
Weight (kg)	2.60	2.30	3.00
Volume (l) Double-stroke	0.80	0.65	0.50

Switch time (sec*)

AGDL	AGDS	AGS	
		0 - 90°	90 - 0°
0.7	0.6	1.0	0.80

Ambient temperature

Standard	- 35°C to +80°C
High-temp (HT)	- 15°C to +140°C
Low-temp (TT)	- 50°C to +70°C

*Quoted switch times are guidelines for a double-stroke at 5 bar control pressure and at 50% rated loading. With high valve actuating speeds, potentially dangerous large braking forces can arise in the actuator end positions. Tip: Throttle the exhaust air or select a larger actuator. Single Action actuators with 12 springs.

Materials

Housing: Al-alloy, anodised
Caps: Al-alloy, PP-coated
Piston: Al-alloy
Pinion: Al-alloy, hard-anodised
Namur shaft: SS304
Seals: NBR (Perbunan)
Bearing: Plastic, POM
Screws: Stainless steel 1.4301

Ordering code

AGD - 018 / 090 - V17 - H
(see assembly variants)
AGS - 018 / 090 - 06* - V17 - H
(see assembly variants)
*The number of springs (4 up to 12pcs.) must be matched to the control pressure beforehand

Technical developments & alterations are reserved. 04/2022 GM APE Automation (India) Pvt. Ltd.