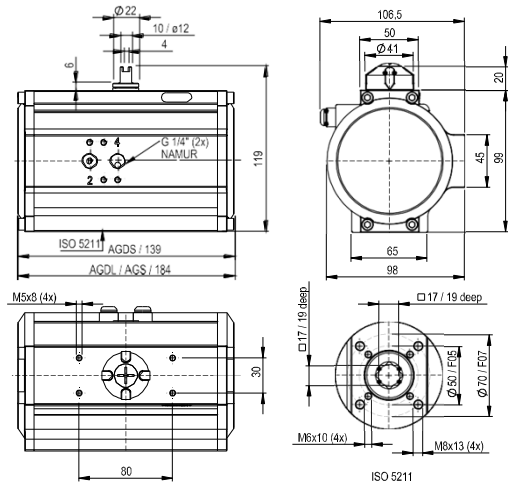
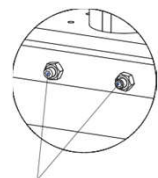


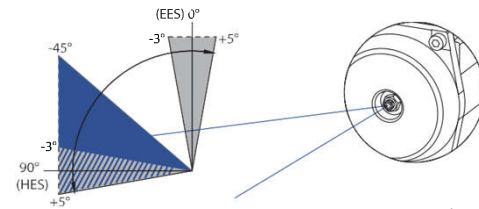
AGDL-AGDS/AGS-010



End position adjustment



Adjusting screws, between +5° and -3°



Optional: Stroke Limitation caps between +5° and -45° for the actuator sizes AGD/AGS-004-600.

The pivoting angle can be adjusted in both end positions in pressure free conditions between +5° and -3°.

Torque-table double-acting actuator (Nm)

	Control Pressure Pst (bar)										
	2	2.5	3	3.5	4	4.5	5	5.5	6	7	8
AGD -010	21.20	26.50	31.80	37.10	42.40	47.70	53.00	58.30	63.60	74.20	84.80

Torque-table single-acting actuator (Nm)

Actuator Type	No. of Springs	Md F (Nm)		Pneumatic Applied Torque Md (Nm) at Minimum Control Pressure Pst (bar)																					
				2		2.5		3		3.5		4		4.5		5		5.5		6		7			
		min	max	min	max	min	max	min	max	min	max	min	max	min	max	min	max	min	max	min	max	min	max		
AGS 010	4	8.90	12.30	9	12	14	18																		
	5	11.13	15.38	6	10	11	15	16	21																
	6	13.35	18.45			8	13	13	18	19	24														
	7	15.58	21.53					10	16	16	22	21	27												
	8	17.80	24.60							13	19	18	25	23	30										
	9	20.03	27.68									15	22	20	28	25	33								
	10	22.25	30.75											17	25	22	31	28	36						
	11	24.48	33.83													19	29	24	34	30	39				
	12	26.70	36.90															21	32	27	37	37	48		

Technical developments & alterations are reserved. 04/2022 GM APE Automation (India) Pvt. Ltd.



Weight, air consumption

Actuator type	AGDL	AGDL	AGS
Weight (kg)	2.0	1.70	2.3
Volume (l) Double-stroke	0.50	0.40	0.30

Control pressure

Control pressure: 2 - 8 bar
Control medium/quality: Filtered air minimum acc. to DIN/ISO 8573-1 Class 4

Switch time (sec*)

AGDL	AGDS	AGS	
		0 - 90°	90 - 0°
0.6	0.5	0.90	0.70

*Quoted switch times are guidelines for a double-stroke at 5 bar control pressure and at 50% rated loading. With high valve actuating speeds, potentially dangerous large braking forces can arise in the actuator end positions. Tip: Throttle the exhaust air or select a larger actuator. Single Action actuators with 12 springs.

Ambient temperature

Standard	-35°C to +80°C
High-temp (HT)	-15°C to +140°C
Low-temp (TT)	-50°C to +70°C

Optional extras

- Other housing coatings
- Pinion: Stainless Steel AISI 304 or 316
- 180° actuator: rotation 180° to 120° adjustable
- 3 - position actuator: 0° - 90° - 180° / 0° - 45° - 90°

Materials

- Housing: Al-alloy, anodised
- Caps: Al-alloy, PP-coated
- Piston: Al-alloy
- Pinion: Al-alloy, hard-anodised
- Namur shaft: SS304
- Seals: NBR (Perbunan)
- Bearing: Plastic, POM
- Screws: Stainless steel 1.4301

Ordering code

AGD - 010 / 090 - V17 - H (see assembly variants)
AGS - 010 / 090 - 06* - V17 - H (see assembly variants)
*The number of springs (4 up to 12pcs.) must be matched to the control pressure beforehand