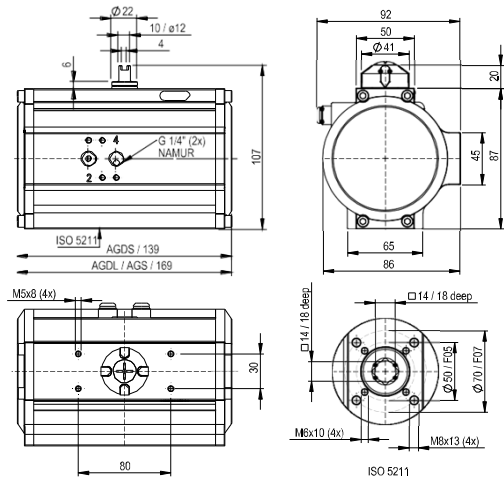
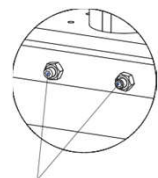


# AGDL-AGDS/AGS-007

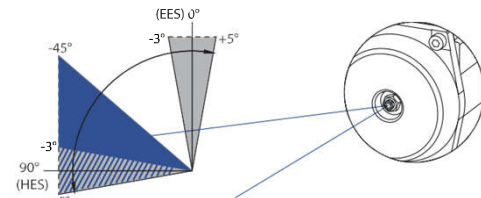


Technical developments & alterations are reserved. 04/2022 GM APE Automation (India) Pvt. Ltd.

### End position adjustment



Adjusting screws, between +5° and -3°



Optional: Stroke Limitation caps between +5° and -45° for the actuator sizes AGD/AGS-004-600.

The pivoting angle can be adjusted in both end positions in pressure free conditions between +5° and -3°.

### Torque-table double-acting actuator (Nm)

	Control Pressure Pst (bar)										
	2	2.5	3	3.5	4	4.5	5	5.5	6	7	8
<b>AGD - 007</b>	14.96	18.70	22.44	26.18	29.92	33.66	37.40	41.14	44.88	52.36	59.84

### Torque-table single-acting actuator (Nm)

Actuator Type	No. of Springs	Md F (Nm)		Pneumatic Applied Torque Md (Nm) at Minimum Control Pressure Pst (bar)																					
				2		2.5		3		3.5		4		4.5		5		5.5		6		7			
		min	max	min	max	min	max	min	max	min	max	min	max	min	max	min	max	min	max	min	max	min	max		
<b>AGS 007</b>	4	5.78	8.90	6	9	10	13																		
	5	7.23	11.13	4	8	8	11	11	15																
	6	8.67	13.35			5	10	9	14	13	18														
	7	10.12	15.58					7	12	11	16	14	20												
	8	11.56	17.80							8	15	12	18	16	22										
	9	13.01	20.03									10	17	14	21	17	24								
	10	14.45	22.25											11	19	15	23	19	27						
	11	15.90	24.48													13	22	17	25	20	29				
	12	17.34	26.70														14	24	18	28	26	35			



### Control pressure

Control pressure: 2 - 8 bar  
Control medium/ quality: Filtered air minimum acc. to DIN/ISO 8573-1 Class 4

### Weight, air consumption

Actuator type	AGDL	AGDS	AGS
Weight (kg)	1.6	1.4	1.8
Volume (l) Double-stroke	0.35	0.25	0.18

### Switch time (sec\*)

AGDL	AGDS	AGS	
		0 - 90°	90 - 0°
0.5	0.4	0.80	0.60

\*Quoted switch times are guidelines for a double-stroke at 5 bar control pressure and at 50% rated loading. With high valve actuating speeds, potentially dangerous large braking forces can arise in the actuator end positions. Tip: Throttle the exhaust air or select a larger actuator. Single Action actuators with 12 springs.

### Ambient temperature

Standard	- 35°C to +80°C
High-temp (HT)	- 15°C to +140°C
Low-temp (TT)	- 50°C to +70°C

### Optional extras

- Other housing coatings
- Pinion: Stainless Steel AISI 304 or 316
- 180° actuator: rotation 180° to 120° adjustable
- 3 - position actuator: 0° - 90° - 180° / 0° - 45° - 90°

### Ordering code

AGD - 007 / 090 - V17 - H (see assembly variants)
AGS - 007 / 090 - 06* - V17 - H (see assembly variants)
*The number of springs (4 up to 12pcs.) must be matched to the control pressure beforehand

### Materials

- Housing: Al-alloy, anodised
- Caps: Al-alloy, PP-coated
- Piston: Al-alloy
- Pinion: Al-alloy, hard-anodised
- Namur shaft: SS304
- Seals: NBR (Perbunan)
- Bearing: Plastic, POM
- Screws: Stainless steel 1.4301