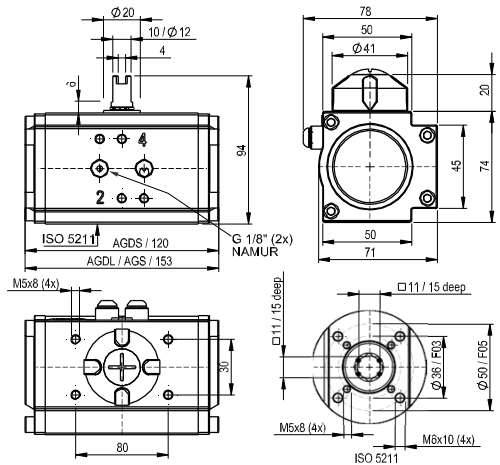
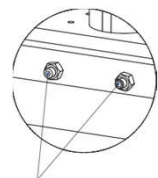


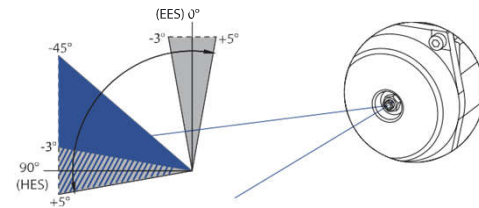
# AGDL-AGDS/AGS-004



### End position adjustment



Adjusting screws, between +5° and -3°



Optional: Stroke Limitation caps between +5° and -45° for the actuator sizes AGD/AGS-004-600.

The pivoting angle can be adjusted in both end positions in pressure free conditions between +5° and -3°.

### Torque-table double-acting actuator (Nm)

AGDL - 004	Control Pressure Pst (bar)										
	2	2.5	3	3.5	4	4.5	5	5.5	6	7	8
	8.5	10.6	12.8	14.9	17.0	19.1	21.3	23.4	25.5	29.8	34.0

### Torque-table single-acting actuator (Nm)

Actuator Type	No. of Springs	Md F (Nm)	Pneumatic Applied Torque Md (Nm) at Minimum Control Pressure Pst (bar)																			
			2		2.5		3		3.5		4		4.5		5		5.5		6		7	
			min	max	min	max	min	max	min	max	min	max	min	max	min	max	min	max	min	max	min	max
AGS 004	4	3.29	5.00	4	5	6	7	8	9													
	5	4.11	6.25	2	4	4	7	7	9													
	6	4.94	7.50		3	6	5	8	7	10												
	7	5.76	8.75			4	7	6	9	8	11											
	8	6.58	10.00				4	7	5	8	7	10	9	13								
	9	7.40	11.25						6	10	8	12	10	14								
	10	8.23	12.50								7	11	9	13	11	15						
	11	9.05	13.75										8	12	10	14	12	16				
	12	9.87	15.00												8	14	11	16	15	20		

Technical developments & alterations are reserved. 04/2022 GM APE Automation (India) Pvt. Ltd.



### Weight, air consumption

Actuator type	AGDL	AGDL	AGS
Weight (kg)	1.1	1.0	1.3
Volume (l) Double-stroke	0.20	0.15	0.10

### Control pressure

Control pressure: 2 - 8bar  
Control medium/  
quality: Filtered air minimum acc.  
to DIN/ISO 8573-1 Class 4

### Switch time (sec\*)

AGDL	AGDS	AGS	
0.2	0.2	0 - 90°	90 - 0°
		0.40	0.30

### Ambient temperature

Standard	- 35°C to +80°C
High-temp (HT)	- 15°C to +140°C
Low-temp (TT)	- 50°C to +70°C

\*Quoted switch times are guidelines for a double-stroke at 5 bar control pressure and at 50% rated loading. With high valve actuating speeds, potentially dangerous large braking forces can arise in the actuator end positions. Tip: Throttle the exhaust air or select a larger actuator. Single Action actuators with 12 springs.

### Optional extras

- Other housing coatings
- Pinion: Stainless Steel AISI 304 or 316
- 180° actuator: rotation 180° to 120° adjustable
- 3 - position actuator: 0° - 90° - 180° / 0° - 45° - 90°

### Ordering code

AGDL - 004 / 090 - V11 - H (see assembly variants)
AGS - 004 / 090 - 06* - V11 - H (see assembly variants)
*The number of springs (4 up to 12pcs.) must be matched to the control pressure beforehand
AGDL = Double acting with spring end caps AGS = Single acting with spring

### Materials

- Housing: Al-alloy, anodised
- Caps: Al-alloy, PP-coated
- Piston: Al-alloy
- Pinion: Al-alloy, hard-anodised
- Namur shaft: SS304
- Seals: NBR (Perbunan)
- Bearing: Plastic, POM
- Screws: Stainless steel 1.4301

Technical developments & alterations are reserved. 04/2022 GM APE Automation (India) Pvt. Ltd.